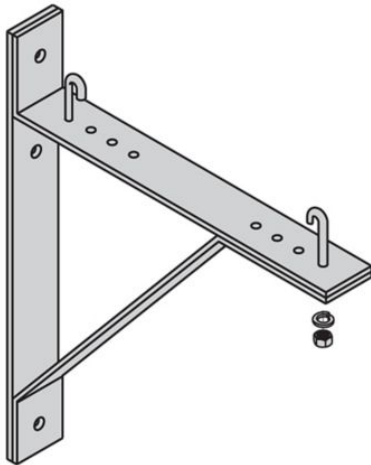


Eaton SB213318FB

Catalog Number: SB213318FB

Eaton B-Line series runway to rack support kit, Used to secure cable runway to top angles of rack, Mounting plate, 3" upright network equipment rack top plate runway support kit, structural steel, Flat black powder coat



General specifications

Product Name	Catalog Number
Eaton B-Line series runway to rack support kit	SB213318FB
	UPC
	782051134773
Product Length/Depth	Product Height
18.875 in	2.75 in
Product Width	Product Weight
4 in	6.1 lb
Certifications	
UL Listed	

Product specifications

Type

3" upright network equipment rack top plate runway support kit

Material details

Flat black powder coat ASTM A36 steel

Mounting method

Mounting hole

Application

Used to secure cable runway to top angles of rack

Resources

Brochures

[Redi-Rail runway brochure](#)

Catalogs

[Cable runway and accessories section of datacomm catalog](#)

Specifications and datasheets

[Eaton Specification Sheet - SB213318FB](#)



Eaton Corporation plc
Eaton House
30 Pembroke Road
Dublin 4, Ireland
Eaton.com
© 2023 Eaton. All Rights Reserved.

Eaton is a registered trademark.

All other trademarks are property of their respective owners.



[Eaton.com/socialmedia](https://www.eaton.com/socialmedia)